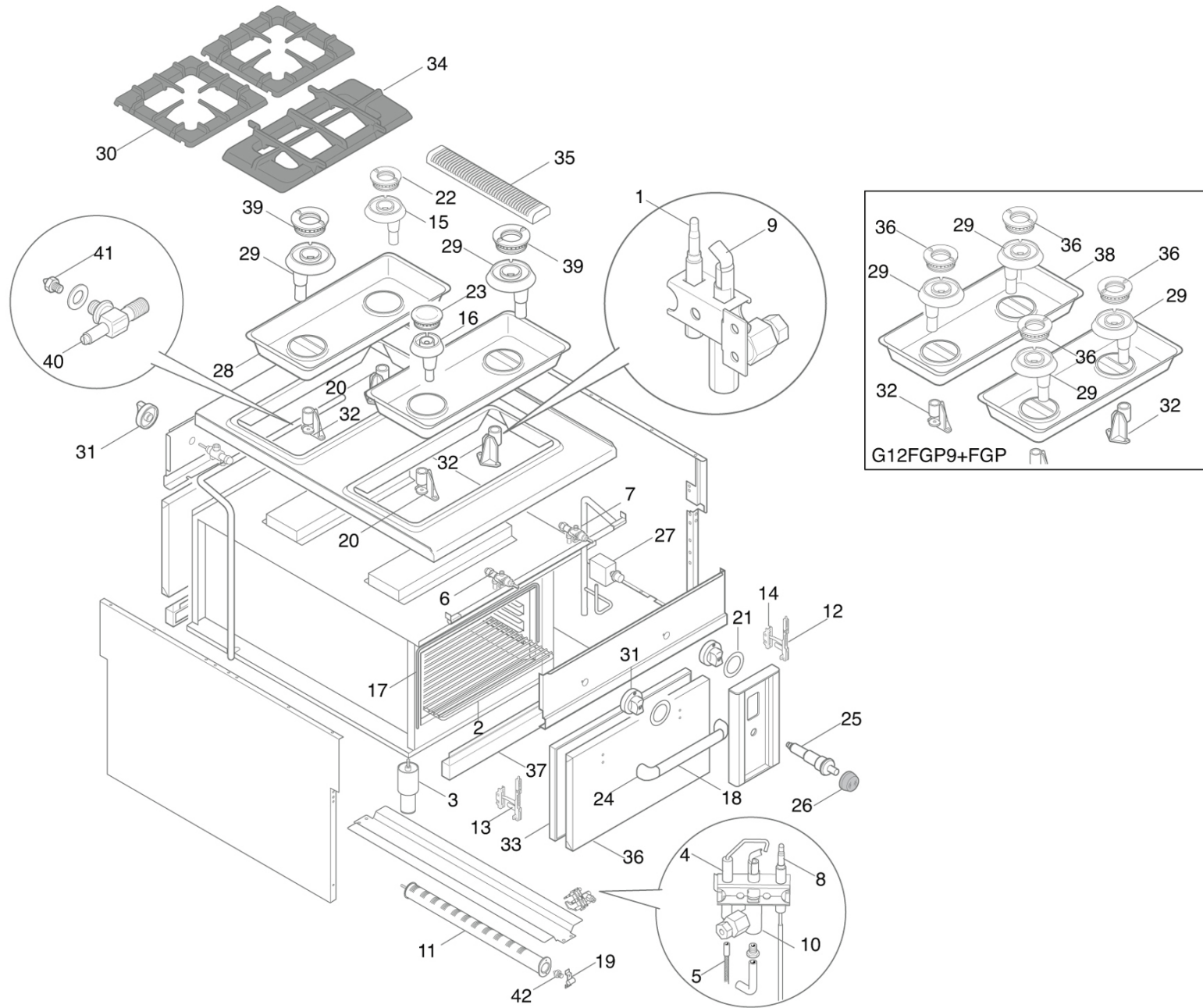




# G12F4P9+FGP





## G12F4P9+FGP

Pos. Item	Codice Code	Descrizione	Item Description	Designation articles	Artikelbeschreibung	Decripción artículos	N° pezzi - No. pieces					
1	22289200	Termocoppia 600 mm x plg/cpg/c	Thermocuple 600mm	Thermocuple 600mm	Thermoelement 600mm	Termopar 600mm						4
2	23849000	Grc 1/1- griglia forno passant	Grc 1/1- griglia forno passant	Grc 1/1- griglia forno passant	Grc 1/1- griglia forno passant	Grc 1/1- griglia forno passant						3
3	24684500	Piedino inox 2 h-125/175	Foot 2 h-125/175	Pied 2 h-125/175	Stellfuss 2 h-125/175	Pata 2 h-125/175						4
4	31187000	Candeletta acc. forno fg/t	Plug for oven fg/t	Bougie pour four fg/t	Zunckerze fÜr backofen fg/t	Bujia por horno fg/t						1
5	31189900	Cavetto accensione forno fg/t	Ignition wire for oven fg/t	Cable allumage pour four fg/t	Zundkabel fÜr backofen fg/t	Cable encendido por hornos fg/						1
6	31273500	Rubinetto pel21s;9x1;bypas 45	Tap pel pel21s;9x1;bypas 45	Robinet pel21s;9x1;bypas 45	Hahn pel21s;9x1;bypas 45	Llave de paso pel21s;9x1;bypas						-
7	31273600	Rubinetto pel21s;9x1;bypas 55	Tap pel 21s;9x1;bypas 55	Robinet pel 21s;9x1;bypas 55	Hahn pel 21s;9x1;bypas 55	Llave de paso pel 21s;9x1;bypa						4
8	31289000	Termocoppia 1500mm forno cucin	Thermocouple 1500mm	Thermocouple 1500mm	Thermoelement 1500mm	Termopar 1500mm						1
9	31291300	Pilota cuc.700 (2 posiz.)	Cooker pilot (2 posit.)	Veilleuse forneau (2 posit.)	Herd zundflamme	Piloto cocina (2 posit.)						4
10	31291400	Pilota 3 pos. fg/t s.7/900 - f	3 posit.pilot fg/t 7/900 r. -	Veilleuse 3 posit. fg/t s.7/90	Zundung 3 pos. fg/t s.7/900 -	Piloto 3 posit. fg/t s.7/900 -						1
11	31780500	Brucciato 12kw per tf d.51mm	12kw burner oven d.51mm	Bruleur de four 12kw d.51mm	Brenner ofen 12kw d.51mm	Quemador horno 12kw d.51mm						1
12	31802000	Cerniera dx forno cucine	Right oven hinge	Charniere droite four	Rechtsseitiges scharnier	Bisagra derecha horno						2
13	31802100	Cerniera sx forno cucine	left oven hinge	Charniere gauche four	Linksseitiges scharnier	Bisagra izda. horno						2
14	31802500	Portarullino cerniera forno	Roller-bearing oven hinge	Porte-rouleau charniere four	Rollenhalter scharniere fuer b	Soporte rodillo bisagra horno						4
15	31807000	Corpo bruc.d 6kw cromato	Chromium-plated burner body 6k	Corps bruleur chrome 6kw	Brenner koerper 6kw verchromt	Cuerpo quemador cromado 6kw						-
16	31807200	Corpo bruc.c 3,5kw cromato	Chromium-plated burner body 3,	Corps bruleur chrome 3,5kw	Brenner koerper 3,5kw verchrom	Cuerpo quemador cromado 3,5 kw						-
17	31859000	Guarniz. a metro forno 2/1gn	Seal for oven 2/1gn	Joint pour oven 2/1gn	Meter-turdichtung ofen 2/1gn	Junta por horno 2/1gn						2
17	31858800	Guarnizione in fibra di vetro	Glass fibre t oven seal l=1750	Joint de porte en fibre de ver	Turdichtung aus glasfaser, t	Guarnizione in fibra di vetro						2
18	31874400	Maniglia sez.ovale 305x41mm. a	Handle 305 x 41 mm. aisi 304	Poignee 305 x 41 mm aisi 304	Ovale griffe 305x41mm. aisi304	Manilla 305 x 41 mm aisi 304						2
19	31913300	Portaugello per fgp	Portaugello per fgp	Portaugello per fgp	Portaugello per fgp	Portaugello per fgp						1
20	31913600	Supp. bruciato c/d cucina	Burner support	Support bruleur	Brennerhalter	Soporte quemador						-
21	31952200	Serig.rossa manop.gas plg-cpg-	Red gas knob serigraphy	Serigraphie rouge manette	Rote drehknopfserigraphie	Serigrafia roja mando						4
22	31954300	Spartif.bruc.d 6kw cromato	6kw burner cap	Chapeau bruleur 6kw	Flammenkranz 6kw	Sombrerete 6kw						-
23	31954400	Spartif.bruc.c 3,5kw cromato	3,5kw burner cap	Chapeau bruleur 3,5kw	Flammenkranz 3,5kw	Sombrerete 3,5kw						-
24	31979000	Terminale crom.lucido plastica	Chromium-plated terminal	Terminal chromÉ poli	Verchromte grifendverschluss	Terminal cromado lustroso						4
25	32188200	Piezoelettrico dado	Piezoelectric ignition nut	Piezo-electrique ecrou	Piezozunder mutter	Piezoelectrico tuerca						1
26A	32188500	Disco fiss.cappuccio piezo s.6	Fixing disc for piezo cap	Disque de fixation protection du	Festscheibe zundkappe	Fixing disc for piezo cap						1
26	32188400	Cappuccio piezo	Cap for piezo	Protection pour piezo	Piezozundung kappe	Proteccion por piezo						1
27	35274500	Valvola eurosit 300°C	Eurosit valve 300°C	Soupape eurosit 300°C	Ventil eurosit 300°C	Valvula eurosit 300°C						1
28	35779400	Bacinella acc.inox 900	Inox tank cookers 900	Cuve inox fourneaux 900	Inox becken 900	Cubeta inox cocinas 900						-
29	35807000	Corpo bruciat. cromato 9kw	9kw burner body	Corps bruleur 9kw	Korper brenner 9kw	Cuerpo quemador 9kw						4
30	35856500	Griglia rough nero 900	Black rough grill	Grille rough noire	rough rost	Parrilla negra rough						4
31	35877100	Manopola rossa p. 8x6,5 a 180°	Red knob p. 8x6,5 a 180°ral300	Manette rouge p. 8x6,5 a 180°	Drehknopf p. 8x6,5 a 180°ral30	Mando rojo p. 8x6,5 a 180°ral3						4
31	35876100	Manopola rossa p. 8x6,5 a 180°	Red knob 8x6,5 180°	Manette rouge 8x6,5 180°	Drehknopf 8x6,5 180°	Mando rojo 8x6,5 180°						4
32	35913600	Supp. bruc. e 9kw cucina	9kw burner support	Support bruleur 9kw	Brennerhalter 9kw	Soporte quemador 9kw						4
33	36803600	Controporta fgp s.1200	Internal door fgp 1200 r.	Contre-porte fgp s.1200	Gegentur fgp s.1200	Puerta interior fgp s.1200						2
34	36856600	Griglia raaf nero cent.g9f4p9+	Central grill g12f4h/p9m/+fgp	Grille centrale g12f4h/p9m/+fg	Zentrale rost g12f4h/p9m/+fgp	Parrilla central g12f4h/p9m/+f						2
35	36856900	Ass.griglia camino g12f4p9+fgp	Grill for chimney g12f4h/p9m/+	Grille cheminee g12f4h/p9m/+fg	Gesamtheit kaminrost g12f4h/p9	Reja humero g12f4h/p9m/+fgp s.						1
36	36915200	Ass.porta est. fgp s.1200	External door kit fgp 1200 r.	Porte exterieure fgp s.1200	Gesamtheit aussertur fgp s.120	Puerta externa fgp s.1200						2
37	36918000	Zoccolo anteriore t/te/fgp s.6	Front base t/te/fgp 6/1200 r.	Bassement anterieure t/te/fgp	Backofen vorneblech t/te/fgp s	Front base t/te/fgp 6/1200 r.						2



G12F4P9+FGP

Pos. Item	Codice Code	Descrizione	Item Description	Designation articles	Artikelbeschreibung	Decripción artículos	N° pezzi - No. pieces					
38	35779500	Ass. bacin. inox x 2 bruc. e	Inox tank for 2 burners	Cuve inox pour 2 bruleurs	Inox becken	Cubeta inox por 2 quemadores						2
39	35954300	Spartif.bruc.e 9kw cromato	9kw burner cap	Chapeau bruleur 9kw	Flammenkranz brenner 9kw	Sombrero quemador 9kw						4
40	32812000	Portaugello completo	Nozzle holder cookers 6/7/9/12	Porte-gicleur fourneaux s.6/7/	Dusebehälter cuc.s.6/7/9/1200	Portatobera coc. s.6/7/9/1200						4
41	40000000	Ugello: indicare modello e tip	Injector: specify model and ga	Gliceur: specifier modele et g	Duese: modell und gas-typ zeig	Tobera: precisar modelo y tipo						4
42	40000000	Ugello: indicare modello e tip	Injector: specify model and ga	Gliceur: specifier modele et g	Duese: modell und gas-typ zeig	Tobera: precisar modelo y tipo						1